

4. SCHEMATIC CIRCUIT DIAGRAM (KE-1000)

KE-1300

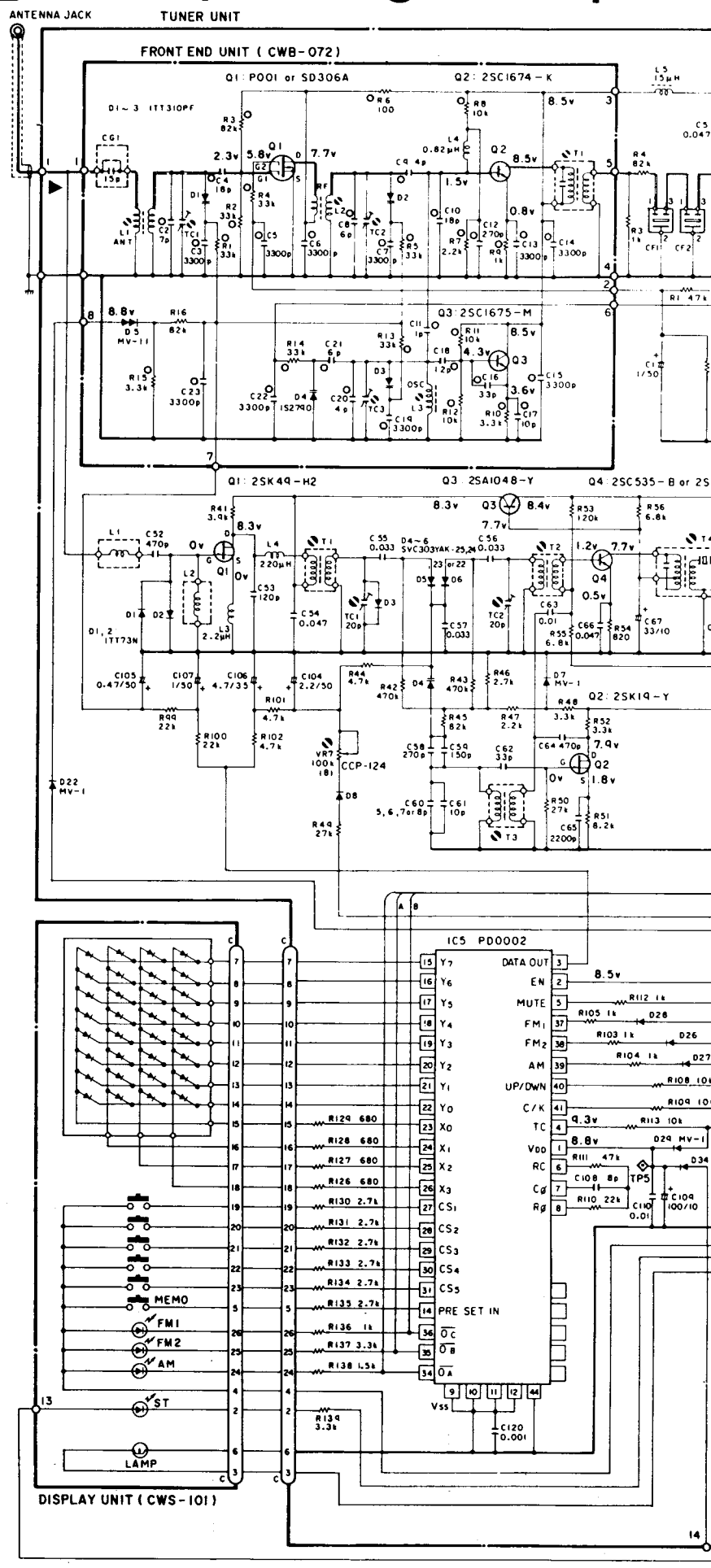
009363

A

B

C

D



Note:

The front end unit and pre-amplifier unit incorporate a chip resistor and a chip capacitor. The chip resistors and chip capacitors are indicated by a circle ○: ○ indicates a chip resistor and ○ indicates a chip capacitor.

FRONT END UNIT (CWB-072)

IC1: TA7302P

IC2: PA4007

